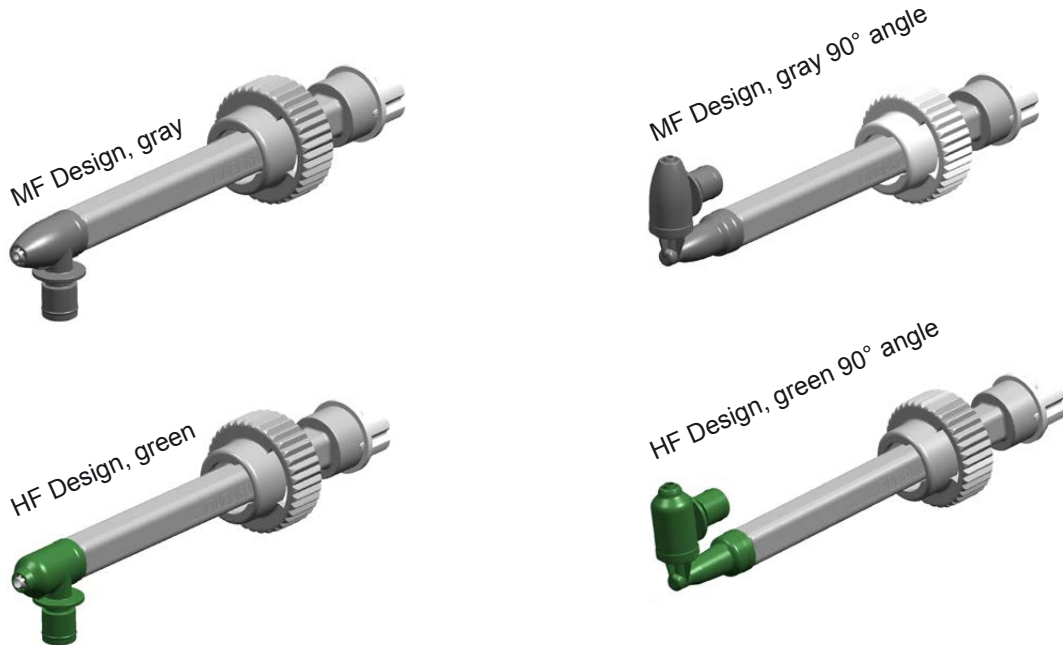


F-System MixCoat™ Spray

Spray Mixer for MixCoat™ Spray w/o check valve



Part number	Article	Description	Elements	∅ (mm)	L (mm)	Vol. (mL)	Units / box
151717	MFQ 07-18C-06	Mixing Spray Tip HF, green, F-System interface, straight, quick lock	18	7.5	128	5.5	500
128113	MFQ 08-24C-07	Mixing Spray Tip MF, gray, F-System interface, straight, quick lock	24	8.7	168	9.2	500
128112	MFQ 08-24C-06	Mixing Spray Tip HF, green, F-System interface, straight, quick lock	24	8.7	168	9.2	500
128117	MFQA 08-24C-07	Mixing Spray Tip MF, gray, F-System interface, 90° angle, quick lock	24	8.7	178	9.4	500
128116	MFQA 08-24C-06	Mixing Spray Tip HF, green, F-System interface, 90° angle, quick lock	24	8.7	178	9.4	500

Headquarters

Sulzer Mixpac Ltd
phone +41 81 772 20 00
fax +41 81 772 20 01
mixpac@sulzer.com
www.sulzer.com

USA, South America, Canada and Mexico

Sulzer Mixpac USA Inc.
phone +1 603 893 27 27
fax +1 603 893 37 37
mixpac@sulzer.com
www.sulzer.com

Asia Pacific

Sulzer Mixpac China
phone +86 21 6430 68 68
fax +86 21 6430 66 88
mixpac@sulzer.com
www.sulzer.com

Denmark

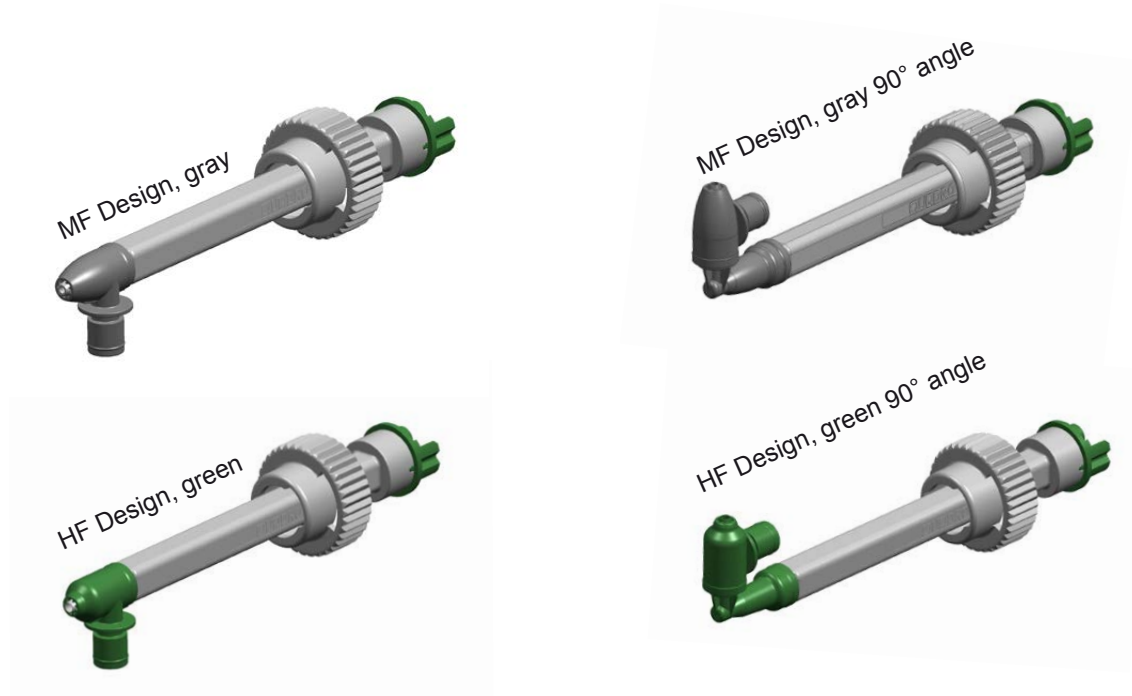
Sulzer Mixpac Denmark A/S
phone +45 4360 0111
fax +45 4369 0137
mixpac@sulzer.com
www.sulzer.com

UK and Ireland

Sulzer Mixpac UK
phone +44 1536 31 29 90
fax +44 1536 31 29 85
mixpac@sulzer.com
www.sulzer.com

F-System MixCoat™ Spray

Spray Mixer for MixCoat™ Spray with check valve



Part number	Article	Description	Elements	∅ (mm)	L (mm)	Vol. (mL)	Units / box
152483	MFQ 07-18C-10	Mixing Spray Tip HF, green, F-System interface, straight, quick lock, check valve on B-side	18	7.5	128	5.3	500
129418	MFQ 08-24C-10	Mixing Spray Tip HF, green F-System interface, straight, quick lock, check valve on B-side	24	8.7	168	9.2	500
129421	MFQA 08-24C-11	Mixing Spray Tip MF, gray F-System interface, 90° angle, quick lock, check valve on B-side	24	8.7	178	9.4	500
129420	MFQA 08-24C-10	Mixing Spray Tip HF, green F-System interface, 90° angle, quick lock, check valve on B-side	24	8.7	178	9.4	500

Headquarters

Sulzer Mixpac Ltd
phone +41 81 772 20 00
fax +41 81 772 20 01
mixpac@sulzer.com
www.sulzer.com

USA, South America, Canada and Mexico

Sulzer Mixpac USA Inc.
phone +1 603 893 27 27
fax +1 603 893 37 37
mixpac@sulzer.com
www.sulzer.com

Asia Pacific

Sulzer Mixpac China
phone +86 21 6430 68 68
fax +86 21 6430 66 88
mixpac@sulzer.com
www.sulzer.com

Denmark

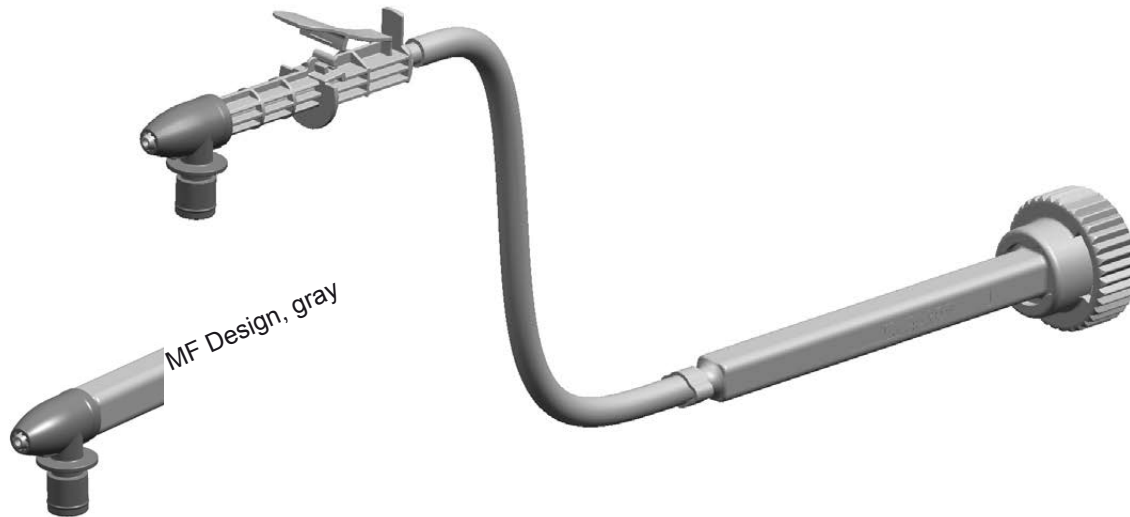
Sulzer Mixpac Denmark A/S
phone +45 4360 0111
fax +45 4369 0137
mixpac@sulzer.com
www.sulzer.com

UK and Ireland

Sulzer Mixpac UK
phone +44 1536 31 29 90
fax +44 1536 31 29 85
mixpac@sulzer.com
www.sulzer.com

F-System MixCoat™ Spray

Spray Mixer for MixCoat™ Flex System



Part number	Article	Description	Elements	∅ (mm)	L (mm)	Units/box
128852	FHS 01-15-M-01	Mixing Spray Tip MF, gray, F-System interface, tube 1500mm Straight tip, quick lock, check valve on spray tip and on B-side mixer	24	8.7	1500	20
128992	FHS 01-30-M-01	Mixing Spray Tip MF, gray, F-System interface, tube 3000mm Straight, quick lock, check valve on spray tip and on B-side mixer	24	8.7	3000	20

Headquarters

Sulzer Mixpac Ltd
phone +41 81 772 20 00
fax +41 81 772 20 01
mixpac@sulzer.com
www.sulzer.com

USA, South America, Canada and Mexico

Sulzer Mixpac USA Inc.
phone +1 603 893 27 27
fax +1 603 893 37 37
mixpac@sulzer.com
www.sulzer.com

Asia Pacific

Sulzer Mixpac China
phone +86 21 6430 68 68
fax +86 21 6430 66 88
mixpac@sulzer.com
www.sulzer.com

Denmark

Sulzer Mixpac Denmark A/S
phone +45 4360 0111
fax +45 4369 0137
mixpac@sulzer.com
www.sulzer.com

UK and Ireland

Sulzer Mixpac UK
phone +44 1536 31 29 90
fax +44 1536 31 29 85
mixpac@sulzer.com
www.sulzer.com